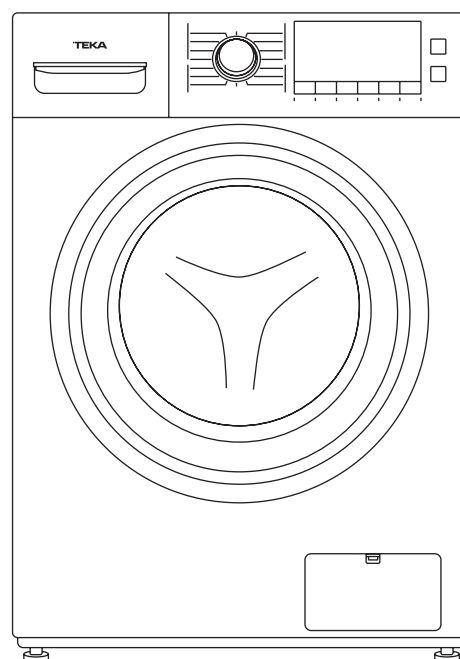


Instruction Manual



10kg Front Load
Washing Machine

Model/s:
TFLW10W

TEKA

Welcome

Congratulations on purchasing your new washing machine! The Teka brand is proudly distributed within Australia by Residentia Group Pty Ltd.

Please refer to the warranty card at the rear of this manual for information regarding your product's parts and labour warranty, or visit us online at www.residentia.group

At Residentia Group, we are customer obsessed and our Support Team are there to ensure you get the most out of your appliance. Should you want to learn more about your model's features, and importantly taking care of your appliance when cleaning, our Support Team are here to help.

You can use our online Support Centre at anytime by visiting <http://support.residentiagroup.com.au> Alternatively, you can contact us via calling our support team on: 1300 11 HELP (4357).

It is important that you read through the following use and care manual thoroughly to familiarise yourself with the installation and operation requirements of your appliance to ensure optimum performance.

Again, thank you for choosing a Teka appliance and we look forward to being of service to you.



Kind regards,
The Residentia Group

Residentia Group

Head Office.
165 Barkly Ave
Burnley
Victoria 3121
Australia

—
ACN.
600 546 656

—
Online.
residentia.group

—
Teka
www.teka.com
  [teka.au](https://www.facebook.com/teka.au)

Safety Notes	04
Installation	06
Your Appliance	08
Operating Instructions	09
Care and Maintenance	15
Troubleshooting	17
Technical Data	19
Purchase Details	21
Warranty	22

Customer Care

Teka recommends the use of original spare parts.

When contacting our customer service team, please ensure that you have the following information at hand (which can be found on your appliances' rating plate or manual).

- Model Number; and,
- Serial Number.

P . 1300 11 4357

E. support@residentiagroup.com.au

Safety Notes

1. Conditions of use

This appliance is intended to be used in household and similar applications such as farm houses or by clients in serviced apartments, holiday apartments and other residential type environments.

2. Safety instructions

Before the installation and use of the appliance, carefully read the supplied instructions. The manufacturer is not responsible if an incorrect installation and use causes injuries and damages. Always keep the instructions with your appliance for future reference.

Warning! To prevent any damages to your and others' life or property, you have to follow the safety notes.

Warning! Caution, risk of fire!

2.1 Children & vulnerable people safety

Warning! Risk of suffocation, injury or permanent disability.

- This appliance can be used by children aged from 8 years and above and persons with reduced physical, sensory or mental capabilities or lack of experience and knowledge if they have been given supervision or instruction for the operation of the appliance by a person who is responsible for their safety.
- Do not let children play with the appliance.
- Keep all packaging away from children.
- Keep all detergents away from children.
- Keep children and pets away from the appliance door when it is open.
- Cleaning and user maintenance shall not be made by children without supervision.

2.2 Installation

- Remove all the packaging.
- Do not install or use a damaged appliance.
- Obey the installation instruction supplied with the appliance.
- Make sure that the floor where you install the appliance is flat, stable, heat resistant and clean.
- Always remove the plug and turn off the water supply at the tap to the appliance after every use.
- Sharp and rigid items such as coins, nails and screws may cause serious damage to this appliance- always ensure pockets of clothing are empty.
- Always ensure that the drum has drained all water before opening the appliance door. If water is visible, do not open the appliance door.
- Do not install the appliance behind a lockable door, a sliding door or a door with a hinge on the opposite side, where the appliance door can not be fully opened.
- Always be careful when you move the appliance because it is heavy.
Always wear safety gloves.
- Always move the appliance vertically.
- The rear surface of the appliance must be put against the wall.
- This appliance should not be installed in a bathroom or similar wet rooms, as well as rooms with explosive or caustic gases.
- Washing machines with a single water inlet and should only be connected to the cold water supply outlet. Models featuring two inlet valves can be connected to both the hot and cold water outlets.
- The appliance can be installed as freestanding or below the kitchen counter with correct space.
- When the appliance is put in its permanent position, check if it is fully level with the aid of a spirit level. If it is not, adjust the feet until it is.

Electrical Connection

Warning! Risk of fire and electrical shock.

- The appliance must be earthed.
- Make sure that the electrical information on the rating plate agrees with the power supply. If not, contact an electrician.
- Always use a correctly installed shockproof socket.
- Do not use multi-plug adapters and extension cables.
- Make sure not to cause damage to the mains plug and to the mains cable. Should the appliance power supply cable need to be replaced, this must be carried out by our Service Centre.
- Connect the mains plug to the mains socket only at the end of the installation. Make sure that there is access to the mains plug after the installation. Do not connect the appliance plug with a power connection board.
- Do not pull the mains cable to disconnect the appliance. Always pull the mains plug.
- Do not touch the mains cable or the mains plug with wet hands.
- This appliance complies with the E.E.C. Directives.

2.3 Appliance use

Warning! Risk of fire, explosion, electric shock or damage to the appliance.

Warning! Before operating this appliance, please ensure that all packaging and transport bolts have been removed. Otherwise, serious damage can occur to the appliance.

- Use this appliance in a household only.
- Before washing any clothes for the first time, the washing machine should be operated for one whole cycle without any clothes inside.
- Do not climb up or sit on top of the appliance.
- Do not change the specification of this appliance.
- If you use fabric softener or similar products, obey the instructions on the packaging.
- Do not sit or stand on the open door.
- Obey the maximum load volume of 10.0 kg (refer to the "Program chart" chapter).
- Ensure all objects are removed from clothing pockets such as lighters and matches.
- Please only use front load washing machine detergents. Flammable and explosive or toxic solvents are forbidden for use with this appliance. Gasoline and alcohol should not be used as a detergent.
- Never wash carpets or rugs within the appliance.
- Be careful to avoid burns when the machine drains hot washing water.
- After a wash program completes, please wait two minutes before opening the door.
- If a tumble dryer is installed on top of the washing machine, use the suitable stacking kit. The stacking kit, available from your authorised vendor, can be used only with the appliance specified in the instructions, supplied with the accessory. Read it carefully before installation (Refer to the Installation section of this manual).
- Never lean against the machine door.
- Please do not close the machine door with excessive force and if you find it difficult to close the door, ensure that the clothing load isn't excessive.
- Glass door may become hot during operation.

Safety Notes Continued

2.4 Transport

- Always move the appliance cautiously. Do not use the machine door or the handle of the detergent dispenser, to lift the appliance.
- Transportation bolts should be reinstalled within the machine by a specialised person, prior to transporting the appliance.
- Ensure that all accumulated water is drained from the appliance before moving.

2.5 Care & Cleaning

Warning! Risk of injury or damage to the appliance

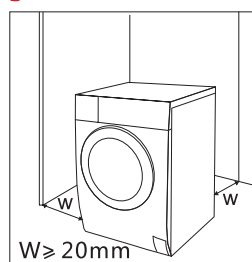
- Before maintenance, deactivate the appliance and disconnect the mains plug.
- Do not use water spray and steam to clean the appliance.
- Clean the appliance with a moist soft cloth. Only use neutral detergents. Do not use abrasive products, abrasive cleaning pads, solvents or metal objects.

2.6 Product Disposal

- Disconnect the appliance from the mains supply.
- Cut off the mains cable and discard it.
- Remove the door catch to prevent children and pets to get closed in the appliance.

Installation

3

**3 Installation Positioning**

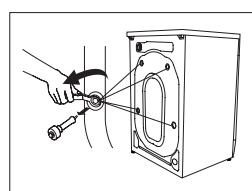
- Ensure that your appliance is installed on solid and flat ground, in a level position.
- Please do not place the appliance on a slope, soft carpet or wooden floor.
- Your appliance should only be installed within an internal environment.
- Do not install the appliance outdoors.

3.1 Removing the Transport Bolts

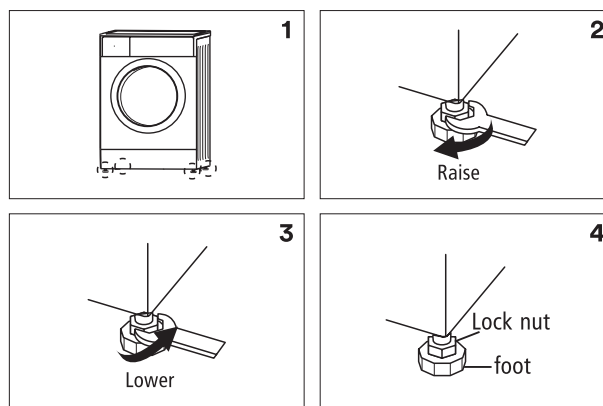
Warning! Before using the appliance, the transport bolts must be removed from the backside of this machine.

Please take the following steps to remove the bolts:

1. Loosen all 4 bolts with a spanner and then remove them.
2. Use the plugs (supplied) to plug the holes.
3. Keep the transport bolts for future use.

3.1—Step 1**3.2 Level Adjusting**

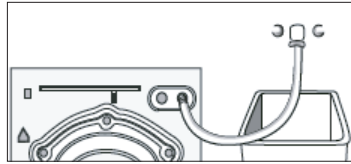
- If the floor is obviously uneven, your appliance feet need to be adjusted. If your appliance isn't level, it will cause your appliance to vibrate, and potentially move from its position.
- Once you've positioned your washing machine, press down from the top in all four corners to ensure that it's completely stable (i.e. not rocking in any direction). Also use a spirit level to ensure that it is completely level in all directions.
- Should you need to make adjustments, use a spanner to turn the appliance legs until it makes contact with the floor. Turn the leg using one hand and then fasten the nut up against the appliance cabinet, to lock the leg in place.
- After making any adjustments to the appliance legs, re-check to ensure it is level and no rocking occurring.



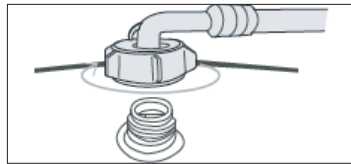
Installation Continued

3.3 Connect the Inlet Pipe

1. Connect the hose elbow to the cold water outlet, screwing in a clockwise direction.



2. Connect the other end of the inlet hose to the water inlet valve on the rear of the washing machine. After installation, if there are any leaks detected, remove the hose and re-install using the steps above. The hose is designed to be used on a standard washing machine outlet.

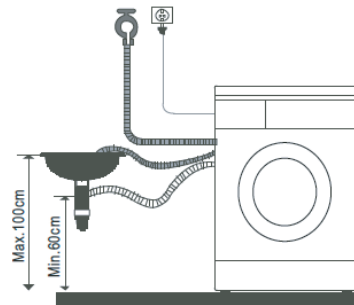


3.4 Position the Outlet Hose

The outlet hose (used to drain the discharged water) is to be ideally connected to the relevant waste pipe, although it can also be positioned to drain into a sink/trough.

Note:

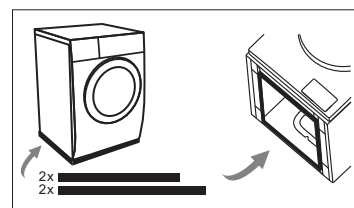
That the outlet hose has a minimum outlet position of 60cm and a maximum position of 100cm (as illustrated on the left).



3.5 Acoustic Sponge

To reduce noise and vibrations caused by the machine when in operation, please apply the acoustic sponges.

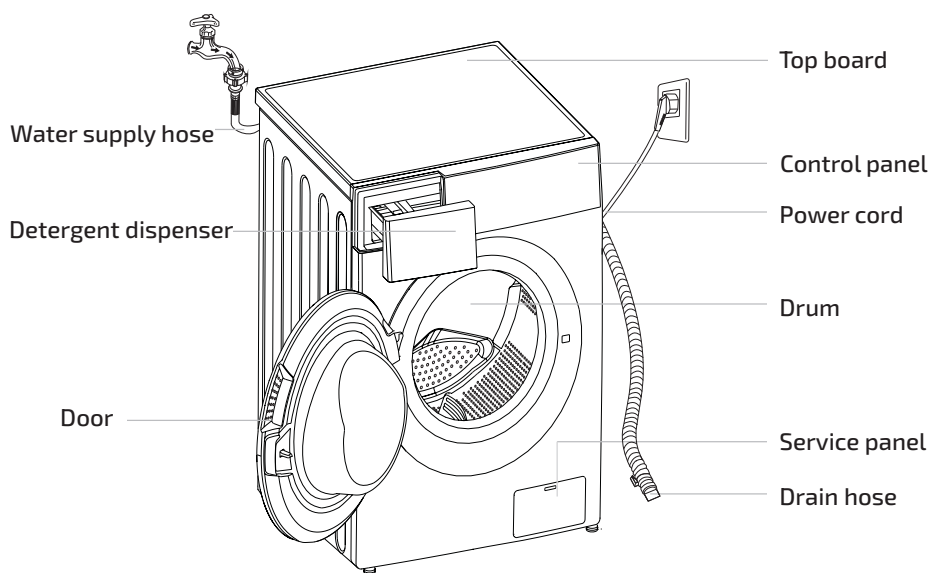
- Lay the machine onto the floor with a layer of soft material in between (such as cardboard, foam or a blanket) to protect the machine and your floor from scratches.
- Stick the 2 × longer sponges to the wider bottom edges of machine, and the 2 × shorter sponges to the shorter bottom edges.



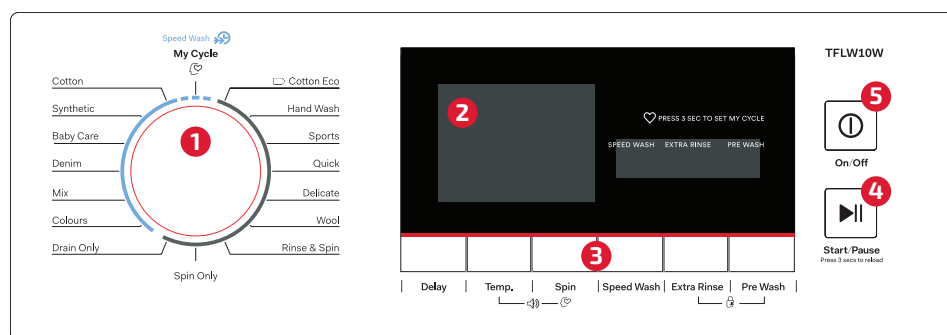
Your Appliance

Note:
The images in this user manual are for explanatory purposes only. Your Front Loader Washing Machine may appear slightly different, however the functions remain the same.

4. Product Components



4.1 Control Panel



- 1 Program selection dial
- 2 Display
- 3 Speciality function buttons
- 4 Start/Pause button
- 5 On/Off button

4.2 Display Icons

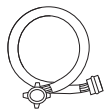
	Delay
	Door lock
	Child lock
	Reload
	Remaining time display / Error message
	Cycle phase status: Pre Wash – Wash – Rinse – Spin
	Speed wash
	Extra rinse
	Pre Wash
	Sound
	My Cycle

You Appliance Continued

4.3 Accessories



Transport hole plug



Cold water supply hose

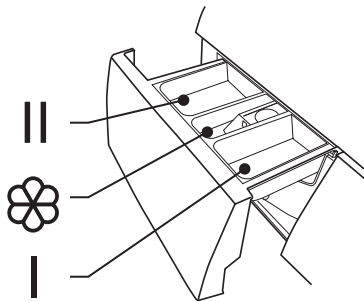


Acoustic sponge




User manual

4.4 – Pull out the dispenser



4.4 Detergent Dispenser

The detergent drawer of your washing machine is split into three compartments:

- I **Pre-detergent compartment.**
Refer to the Wash Programs Table to see which programs utilise a pre-wash.
- II **Main detergent compartment.**
This is the main detergent drawer.
-  **Washing additive compartment.**
Use for fabric softeners, etc.

Warning! Detergent only need to be added in "case I" after selecting pre-washing for machines with this function.

Operating Instructions

4.5 Quick Start

Follow the procedure below to operate your washing machine.

1. Install your washing machine.
2. Turn on the water supply.
3. Plug in the power supply.
4. Open the door and load in the laundry.
5. Close the machine door.
6. Measure the detergent and pour in the appropriate amount.
7. Select the desired program.
8. Select any additional functions if required.
9. Press the Start/Pause button to begin.
10. Completion of the washing cycle.
At the completion of a wash program, the washing machine will sound an audible tone.
11. Turn off the water supply
Although the washing machine would be powered off, the power outlet should be switched off and the plug should be pulled out for safety reasons.

5 Programme Table

Programmes	Max Load (kg)	Temperature (°C)	Default Spin Speed (RPM)	Default Time
Cotton	10.0kg	40	800	1:28
Synthetic	5.0	40	1000	1:25
Baby Care	10.0	60	1000	1:42
Denim	10.0	30	800	1:35
Mix	10.0	40	800	1:20
Colours	5.0	20	1000	1:01
Drain Only	-	-	-	0:01
Spin Only	10.0	-	1000	0:12
Rinse & Spin	10.0	-	1000	0:20
Wool	2.0	40	600	1:07
Delicate	2.5	30	800	0:50
Quick	2.0	Cold	800	0:15
Sports	5.0	20	800	0:47
Hand Wash	2.0	Cold	800	0:52
Cotton Eco	10.0	30	1000	0:59

Note:

- 1 The Maximum Weights refer to wash items.
- 2 Energy labeling program: Cotton Eco, Temperature 60°C, Speed: Highest speed, Other programs as default used for the AS/NZS 2442 MEPS energy rating. Half load for 10.0kg machine is 5.0kg.
- 3 Cotton ECO" is the standard washing programs to which the information in the label and the fiche relates, and they are suitable to clean normally soiled cotton laundry and that they are the most efficient programmes in terms of combined energy and water consumptions for washing that type of cotton laundry, that the actual water temperature may differ from the declared cycle temperature.
- 4 The actual parameters maybe different with the parameters in the above mentioned table.

5.1 Setting the Delay Function

To set the delay function:

- Select a program by turning the Program dial
- Press the Delay button to choose a time (The delaying time is 0-24H)
- Press the Start/Pause button to being your cycle

To cancel the delay function, press the Delay button until the display is back to 0H.

The delay function should be activated before starting the program.

If the program has already started, turning off the machine will reset the delay function.

6 Preparation Before Washing Clothes

Please follow these steps carefully to avoid trouble with your washing machine and damaging your clothing.

6.1 Washing Considerations

- New clothes in particular, can leach colour onto other clothing items, particularly whites. Consider washing these and bright colours separately.
- Stained clothing should be treated with a stain remover, prior to washing.
- Temperature sensitive clothes should be washed in accordance with their care direction label. Otherwise distortion and/or changes in colour could occur.
- Never allow washing to sit in the machine for a long period of time- particularly when wet. Clothes can become mouldy and develop an odour.
- Certain clothing cannot be washed in a washing machine and their care directions may state dry cleaning or hand washing required.
- Wrinkle style clothes, embossed clothes, resin clothes, etc may become distorted when immersed in water.
- Avoid washing clothes without care direction labels within the appliance, to be safe.
- Always remove all items from clothing pockets, as hard items can cause damage to the appliance.
- Try to wash clothing colours and sizes in like loads, as this will improve the effectiveness of the washing and results.
- Close all clothing zips and ensure all buttons are fastened securely.
- Delicate items such as bras, handkerchiefs and ties should be washed within a special washing bag, to prevent damage to themselves and other clothes.
- When washing a large single item that could become heavy (i.e. a towel or jacket), it can cause the appliance to become unbalance during its spin cycle. Therefore it's recommended to add one or two more clothing items to help the machine balance.
- Try to remove any pet hair, dust and stains from clothing prior to washing.
- Baby clothing should be washed separately.
- Clothing that gets easily "fuzzed" or loses fibres easily, should be washed separately.
- Black clothing items should be washed separately.
- Do not wash waterproof materials within the washing machine.

6.2 Pay Attention to Detergents

- Only use suitable front load washing machine detergents with this appliance. Powders and liquid detergents only.
- Only ever use the recommended quantity of detergent, as per the manufacturer's guidelines, as an excessive quantity can cause excessive bubbles and overflow to occur.
- It can also result in detergent residue remaining on the clothing after completion of the wash cycle.

Warning! Always keep detergents and additives out of reach from children.

6.3 Clothing Classifications

The symbol types on care labels are typically classified into the following textiles: Cotton, Blended Fibre, Synthetic Fibre, Silk, Wool and Artificial Fibre.

Confirm the Washing Capacity

Never load the machine with excessive weights, as it will affect your washing results.

Fibre type	Maximum Load Capacity
Cotton	10.0kg
Synthetics	5.0kg
Wool	2.0kg
Delicates	2.5kg

Operating Instructions Continued

6.4 Washing Clothes For The First Time

Before washing any clothes, please perform one cycle without clothes inside as follows:

- Connect the power source and water.
- Insert a small amount of detergent into Compartment II of the detergent drawer and close it.
- Select a washing program.
- Press the "Start/Pause" button on the appliance.
- Allow the program to complete and your washing machine is now ready for use.

6.5 Selecting A Procedure

You should select your washing program based on the type of clothing, quantity and dirtiness level, in combination with the following temperature table.

Temperature Mode	Application
90°C	Seriously soiled clothing, pure white cotton (i.e. bed linen, towels, table cloths, etc)
60°C	Moderately soiled clothing, cotton and synthetic articles with certain decolouration degree (i.e. shirts, pyjamas, etc)
40°C, 30°C, 20°C, Cold Water	Lightly soiled clothing, synthetics and wool

To select a program:

- First turn the Program Selection Dial to the corresponding wash program, according to the type of textiles being washed.
- Secondly, select the desired temperature based on the level of dirtiness.
Note: Generally the higher the temperature, the more power that's consumed.
- Finally, select your desired spin speed. The higher the spin speed, the drier the textiles will be at completion, however more delicate textiles will be more wrinkled. Delicate textiles should be set with a lower spin speed.

6.6 Programs

Selecting the main washing program depends on the types of clothing to be washed, as follows:

Cotton

To increase the washing results, the main washing time is increased. It is recommended for washing clothes for babies or worn by the persons with skin allergies. It is recommended for washing durable cotton articles, for example: bed sheets, quilt covers, pillowcases, gowns, underwear, etc.

Synthetic

The procedure is shorter compared with that for cottons and the washing intensity is relatively gentle. It is recommended for washing synthetic articles, for example: shirts, coats, etc.

Baby Care

Washing the baby's clothes, it can make the baby's wear cleaner and make the rinse performance better to protect the baby skin.

Denim

You can select this procedure for washing jeans and denim materials.

Mix

You can select this procedure for washing durable clothes, that typically require more wash time and intensity. It is ideal for any "daily" clothing such as cotton, including sheets, pillowcases, bathrobes and underwear.

Operating Instructions Continued

Colours

Suitable for washing a load of coloured laundry as the cycle is done at a low temperature to ensure colours do not run or fade.

Drain Only

A very short cycle to ensure the machine is fully drained by removing any residual water from a previous load.

Spin Only

This procedure provides a spin only option. Residual soapy water shall be drained out before spinning.

Rinse & Spin

This procedure provides a short rinse cycle followed by a spin cycle.

Wool

You can select this procedure to wash wool textiles labelled with "Machine Wash". Please select the proper washing temperature according to the clothing's care label. Furthermore, the proper detergent amount should be used for wool textiles, which is generally less than normal wash loads.

Delicate

You can select this procedure to wash your delicate clothes. Its washing intensity is gentler and spin speed is low compared with the "Synthetic" procedure. It is recommended for washing any articles requiring a soft wash.

Quick

You can select this procedure for washing a small quantity of clothing, where items are only lightly soiled.

Sports

You can select this procedure for washing sport and active-wear clothing.

Hand Wash

Select this cycle for clothes that require handwashing. With very low temperature and spin speed this cycle is suitable to wash very delicate items.

Cotton Eco

This procedure saves energy and limits the washing temperature to 40°C or 60°C. Use with a small quantity of clothes which are only lightly dirty.

My Cycle

The My Cycle function can be used to define and save your favourite drying program for easier selection in the future (i.e. Use this function to save your most frequently used drying settings).

To set the My Cycle function:

- Use the program selector dial to select your required program and select any other drying functions.
- Press and hold the "Spin Speed" button for 3 seconds until the display flashes, indicating that your desired program has been saved.
- To use your preset My Cycle, simply turn the program selector dial to the My Cycle position and press the "Start/Pause" button to begin.
- If you wish to change your My Cycle settings, simply repeat the steps above at any time.

6.7 Additional Wash Options

Prewash Function

The Prewash function adds an additional wash prior to the main wash. Extra detergent should be placed in the Pre-wash detergent compartment, labeled with "I".

Speed Wash Function

Adding this function to your wash program decreases the washing time.

To activate the Speed Wash Function:

- Select your desired washing program.
- Press the "Speed Wash" button.
- Press the "Start/Pause" button to begin the program.

Extra Rinse Function

The laundry will undergo an extra rinse cycle at the completion of the program.

Delay Function

The Delay function can be set with this button, where the delay is 0-24 Hrs.

To set the Delay function:

Select a wash program;
Press the Delay button to choose the time;
Press Start/Pause to commence the delay operation.

To Cancel the Delay function:

Press the Delay button until the display shows 0H. It should be pressed prior to starting the program. If the program has already started, press the On/Off button to reset.

Reload (Add a Garment) Function

This function can be executed during operation of a washing program. When the drum of the machine is still in motion and/or there is a large amount of water inside, the machine will not allow the door to be opened.

To use the Reload function:

- Press and hold the Start/Pause button for 3 seconds.
- Once the drum stops rotating, the door will unlock and allow you to open.
- Add your additional clothing items and close the door.
- Press the Start/Pause button once again to continue the wash program.

Child Lock

To avoid the washing procedure being altered by children, you can activate the child lock function. All buttons and dials won't alter the machines settings, however the On/Off button will still function.

Note:

If the machine is switched off when Child Lock is active, it will remain in Child Lock mode when switched back on.

To activate or deactivate the Child Lock:

- Press and hold the "Rinse" and "Pre Wash" buttons together at the same time for 3 seconds, whilst the machine is operating.
- The machine will make an audible tone to let you know that the Child Lock is activated or deactivated.

Note:

At the completion of a wash program, the child lock will become deactivated automatically.

Operating Instructions Continued

Bubble Removal Function

When excessive detergent is used, excessive bubbles may occur, effecting your wash results. Your washing machine will automatically check for excessive bubbles and work to remove them as required.

Muting the machine (Sound function)

This function allows you to turn the audible tone on or off, to indicate that your washing program is complete. By default the audible sound is set to On.

When the Sound function is on, your appliance will make an audible tone when:

- The extra function buttons are pressed (i.e. Speed Wash, Anti-Crease).
- If the washing machine is operating and the program selector knob is turned, the appliance will make an audible tone to alert the user that an invalid choice has been made.
- At the completion of a washing program, an audible tone will sound.

To activate or deactivate the Sound function:

Press and hold the "Extra Rinse" and "Pre Wash" buttons together for 3 seconds.

Care and Maintenance

7 Cleaning Procedures

Warning! Before beginning any cleaning or maintenance, always ensure the appliance is switched off, the power plug is removed from the power outlet and the water supply has been closed.

7.1 Cleaning the Washing Machine Exterior

- Proper maintenance of your washing machine will keep it looking as new and extend its working life.
- The exterior surface can be cleaned with household cleaners and a soft damp cleaning cloth.
- If there is any residual water at the completion of a washing program, please use a cloth to wipe it off immediately.

Note:

Never use solvents or harsh cleaning chemicals on your washing machine's exterior.

7.2 Cleaning the Internal Drum

Should any rust form on the inside drum (i.e. water was left to sit for an extended period of time), please remove immediately using a chlorine free detergent. Never use steel wool or a harsh abrasive.

7.3 Frozen Washing Machine

Should the temperature drop below zero and your washing machine becomes frozen, you should:

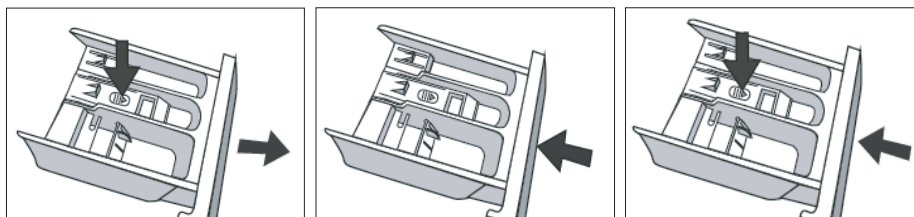
- Disconnect the power supply for the washing machine.
- Wash the tap connection with warm water, to help you to disconnect the inlet pipe.
- Remove the inlet pipe and immerse in warm water (i.e. within a bathtub).
- Pour some warm water into the washing machine drum and wait for approximately 10 minutes.
- Reconnect the inlet pipe to the tap and washing machine and open the water supply.
- Wait until the room's ambient temperature returns to above 0°C before trying to operate the washing machine.

Care and Maintenance Continued

7.4 Cleaning the Detergent Drawer

You should periodically follow these steps to ensure the detergent drawer on your machine remains clean:

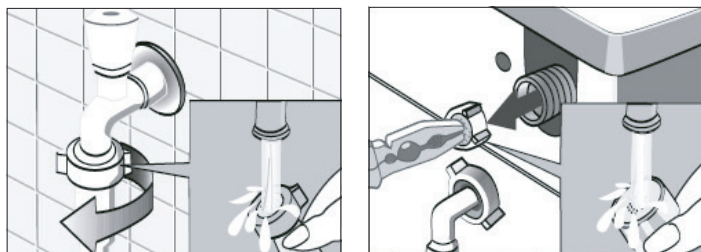
- Press down on the arrow, located on the cover for the fabric softener compartment of the detergent drawer.
- Lift the clip up and remove the fabric softener compartment cover.
- Wash all grooves with warm water.
- Re-install the fabric softener compartment cover into the detergent drawer, and push the drawer back into position.

**7.5 Cleaning the Inlet Filter**

You should clean the inlet filter periodically, or if you find that insufficient water is being supplied to your washing machine when the supply tap is open.

To clean the inlet filter:

- Close the water supply tap.
- Select any wash program (except for Spin Only or Drain Only) and press the Start/Pause button. Allow the program to run for about 40 seconds.
- Remove the inlet pipe from the closed tap and use water to wash the filter.
- Reconnect the inlet pipe to the tap.

**Note:**

Generally the tap inlet filter is washed first followed by the washing machine filter. If only the washing machine filter is washed, then you should still follow steps 1-3 for cleaning the inlet filter first.

7.6 Cleaning the Drain Pump Filter (Removing Foreign Objects)

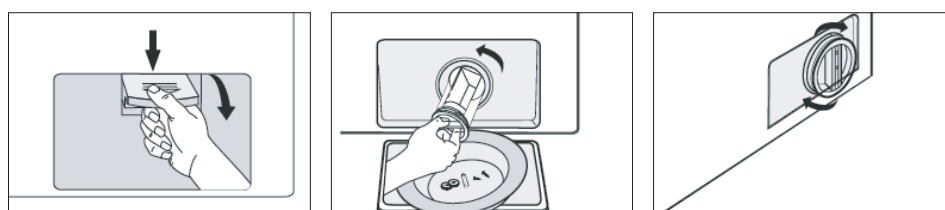
Warning! Always keep detergents and additives out of reach from children.

Periodically you should clean the drain pump filter to ensure normal operation of your washing machine. The type of washing, frequency and soil level of your washing cycles will alter how often this procedure needs to be undertaken, however you should inspect the filter regularly.

Should your washing machine not empty and/or spin, or your machine makes unusual noises during operation, your Drain Pump filter could be blocked. Follow this procedure to check or remove any foreign objects.

After disconnecting the power, open the filter cover at the front base of your washing machine.

Unscrew the filter in an anti-clockwise direction and remove any foreign objects. Re-install the filter and close the service panel.



Warning! Never remove the pump cover when the washing machine is in operation, always wait until the appliance has finished and the is empty. There can be hot water within the pump, so be careful to avoid burns, should it have operated recently. When replacing the cover, be careful to ensure it is closed securely.

Troubleshooting

10. Troubleshooting

Warning! Only authorised technicians can carry out repairs.

10.1 Error Displays

Display	Problem	Solution
"E30"	Door is not closed properly	Restart after the door is closed Check if there are clothes or washing articles stuck
"E10"	Water injecting problem while washing	Check if the water pressure is too low Straighten the water pipe Check if the inlet valve filter is blocked
"E21"	Overtime water draining	Check if the drain hose is blocked
"E12"	Water overflow	Restart the washer

Before contacting our customer service team, please refer to the table on the next page to see if your fault can be fixed by yourself. Should a service technician visit be arranged and its found there are no faults with the appliance, a call out charge will apply.

10.2 Troubleshooting Table

Problem	Solution
Washing Machine won't start-up	<ul style="list-style-type: none"> — Check that the mains plug is inserted and switched on at the power point. — Check that the door is closed securely. — Check that the relevant fuse hasn't blown. — Check that the On/Off button has been pressed. — Check that the water supply tap has been opened.
Door won't open	<ul style="list-style-type: none"> — The machine's safety protection is working. Disconnect the power and reconnect the power.
Heating fault	<ul style="list-style-type: none"> — The NTC is damaged and/or the heating pipe is aging. You should be able to wash the clothes normally however without the water heating. Please contact our customer service team.
Water is leaking	<ul style="list-style-type: none"> — The drainage waste pipe may be blocked. — Check and fasten all water connection pipes. — Inlet or Outlet hoses may be damaged. Please check.
Water is overflowing from the base of the machine	<ul style="list-style-type: none"> — Check that the inlet pipes are connected firmly at the rear of the machine. — Check that the outlet hose hasn't been damaged.
Display isn't lighting up	<ul style="list-style-type: none"> — Check that the power isn't disconnected. — PC board may have issues. Please contact our customer service team.
Detergent residues remain in the detergent drawer	<ul style="list-style-type: none"> — Ensure you are using a correct amount of detergent. — Follow the cleaning steps to remove any damp residual detergent from the drawer.
Washing results aren't to expectations	<ul style="list-style-type: none"> — Ensure you are using a sufficient amount of detergent. — Ensure the correct quantity of clothes are being used depending on the wash program selected. — Ensure you are using the correct wash program to suit the clothing and level of dirtiness. — Try using an alternative detergent.
Washing machine is making an abnormal noise or vibrating	<ul style="list-style-type: none"> — Ensure that all transportation bolts have been removed. — Ensure the appliance has been installed on a solid and level floor. — Ensure that all legs are making contact with the floor and adjust as required. — Follow the Drain Pump cleaning procedure and ensure there are no foreign objects.

Note:

- If the above steps don't resolve your issue or you cannot resolve the fault by yourself:
- Press the "On/Off" button.
- Switch off the appliance at the power outlet and remove the plug.
- Call the Residentia Group customer service team on 1300 11 4357 (HELP).

Technical Data

11. Technical Specifications

Model	TFLW10W
Washing Capacity	10kg
Dimensions (W ~ D ~ H mm)	595 × 565 × 850 mm
Power supply	220-240V ~50Hz, 10Amp
Rated Power	2000W
Net Weight	72kg
Standard Water Pressure	0.05MPa-1.0MPa
Max Noise Level (Washing/Spinning)	59dbA / 78dbA

Note:

- This product is subject to continuous improvement, specification are subject to change without prior notice.
- This product was tested in accordance with AS/NZS 2040.1:2005+ Amdt1-2007+Amdt2-2009 and AS/NZS6400 using program: "Program ECO, 1500RPM, 60°C", which is the program recommended for a normally soiled cotton load at rated capacity.



12. RCM Mark

The RCM Mark (Regulatory Compliance Mark) indicates that the product complies with the relevant guidelines of the ACMA as well as corresponding government requirements for the safety of electrical devices

THIS PAGE IS INTENTIONALLY LEFT BLANK

Attach your receipt to this page

Purchase Details

For future reference, please record the following information which can be found on the rating plate and the date of purchase which can be found on your sales invoice.

STORE DETAILS

STORE NAME | _____

ADDRESS | _____

TELEPHONE | _____

PURCHASE DATE | _____

PRODUCT DETAILS

MODEL NO. | _____

SERIAL NO.* | _____

Warranty

WARRANTY TERMS & CONDITIONS LAUNDRY APPLIANCES

This document sets out the terms and conditions of the product warranties for Residentia Group Appliances. It is an important document. Please keep it with your proof of purchase documents in a safe place for future reference should you require service for your Appliance.

1. IN THIS WARRANTY

- a. 'acceptable quality' as referred to in clause 10 of this warranty has the same meaning referred to in the ACL;
 - b. 'ACL' means Trade Practices Amendment (Australian Consumer Law) Act (No.2) 2010;
 - c. 'Appliance' means any Residentia Group product purchased by you accompanied by this document;
 - d. 'ASR' means Residentia Group authorised service representative;
 - e. 'Residentia Group' means Residentia Group Pty Ltd of 165 Barkly Ave, Burnley VIC 3121, ACN 600 546 656 in respect of Appliances purchased in Australia;
 - f. 'major failure' as referred to in clause 10 of this warranty has the same meaning referred to in the ACL and includes a situation when an Appliance cannot be repaired or it is uneconomic for Residentia Group, at its discretion, to repair an Appliance during the Warranty Period;
 - g. 'Warranty Period' means:
 - i. where the Appliance is used for personal, domestic or household use (i.e. normal single family use) as set out in the instruction manual, the Appliance is warranted against manufacturing defects for 24 months, following the date of original purchase of the Appliance;
 - h. 'you' means the purchaser of the Appliance not having purchased the Appliance for re-sale, and 'your' has a corresponding meaning.
2. This warranty only applies to Appliances purchased and used in Australia and is in addition to (and does not exclude, restrict, or modify in any way) any non-excludable statutory warranties in Australia.
 3. During the Warranty Period Residentia Group or its ASR will, at no extra charge if your Appliance is readily accessible for service, without special equipment and subject to these terms and conditions, repair or replace any parts which it considers to be defective. Residentia Group or its ASR may use remanufactured parts to repair your Appliance. You agree that any replaced Appliances or parts become the property of Residentia Group. This warranty does not apply to light globes, batteries, filters, seals or similar perishable parts.
 4. Parts and Appliances not supplied by Residentia Group are not covered by this warranty.

Warranty Continued

5. You will bear the cost of transportation, travel and delivery of the Appliance to and from Residentia Group or its ASR. If you reside outside of the service area, you will bear the cost of:
 - a. travel of an authorised representative;
 - b. transportation and delivery of the Appliance to and from Residentia Group or its ASR, in all instances, unless the Appliance is transported by Residentia Group or its ASR, the Appliance is transported at the owner's cost and risk while in transit to and from Residentia Group or its ASR.
6. Proof of purchase is required before you can make a claim under this warranty.
7. You may not make a claim under this warranty unless the defect claimed is due to faulty or defective parts or workmanship. Residentia Group is not liable in the following situations (which are not exhaustive):
 - a. the Appliance is damaged by:
 - i. accident
 - ii. misuse or abuse, including failure to properly maintain or service
 - iii. normal wear and tear
 - iv. power surges, electrical storm damage or incorrect power supply
 - v. incomplete or improper installation
 - vi. incorrect, improper or inappropriate operation
 - vii. insect or vermin infestation
 - viii. failure to comply with any additional instructions supplied with the Appliance;
 - b. the Appliance is modified without authority from Residentia Group in writing;
 - c. the Appliance's serial number or warranty seal has been removed or defaced;
 - d. the Appliance was serviced or repaired by anyone other than Residentia Group, an authorised repairer or ASR.
8. This warranty, the contract to which it relates and the relationship between you and Residentia Group are governed by the law applicable where the Appliance was purchased.
9. To the extent permitted by law, Residentia Group excludes all warranties and liabilities (other than as contained in this document) including liability for any loss or damage whether direct or indirect arising from your purchase, use or non use of the Appliance.
10. For Appliances and services provided by Residentia Group in Australia, the Appliances come with a guarantee by Residentia Group that cannot be excluded under the Australian Consumer Law. You are entitled to a replacement or refund for a major failure and for compensation for any other reasonably foreseeable loss or damage. You are also entitled to have the Appliance repaired or replaced if the Appliance fails to be of acceptable quality and the failure does not amount to a major failure. The benefits to you given by this warranty are in addition to your other rights and remedies under a law in relation to the Appliances or services to which the warranty relates.
11. At all times during the Warranty Period, Residentia Group shall, at its discretion, determine whether repair, replacement or refund will apply if an Appliance has a valid warranty claim applicable to it.
12. Missing parts are not covered by warranty. Residentia Group reserves the right to assess each request for missing parts in a case by case basis. Any parts that are not reported missing in the first week after purchase will not provide free of charge.
13. To enquire about claiming under this warranty, please follow these steps:
 - a. carefully check the operating instructions, user manual and the terms of this warranty;
 - b. have the model and serial number of the Appliance available;
 - c. have the proof of purchase (e.g. an invoice) available;
 - d. telephone the numbers shown below.
14. You accept that if you make a warranty claim, Residentia Group and its ASR may exchange information in relation to you to enable Residentia Group to meet its obligations under this warranty.

IMPORTANT

Before calling for service, please ensure that the steps in point 13 have been followed.

— Service: Please call 1300 11 HELP (4357)

The Australian Consumer Law requires the inclusion of the following statement with this warranty:

Our goods come with guarantees that cannot be excluded under the Australian Consumer Law. You are entitled to a replacement or refund for a major failure and for compensation for any other reasonably foreseeable loss or damage. You are also entitled to have the goods repaired or replaced if the goods fail to be of acceptable quality and the failure does not amount to a major failure.

TEKA

TECHNIK & KÜCHE